

GUIDE

PROFI NET

GDHF - PNO2

.....	1
.....	1
.....	1
.....	3
.....	3

PROFI NET	11
.....	13
.....	13
.....	13
PROFI NET	13
.....	17
.....	17
PROFI NET	17
PPO	17
.....	18
.....	20
.....	20
.....	24
.....	25
.....	26
LED	26
.....	28
PROFI NET	28
.....	30
PROFI NET	31



PROFI NET

GDHF - PN02

!



GDHF - PNO2

PROFI NET

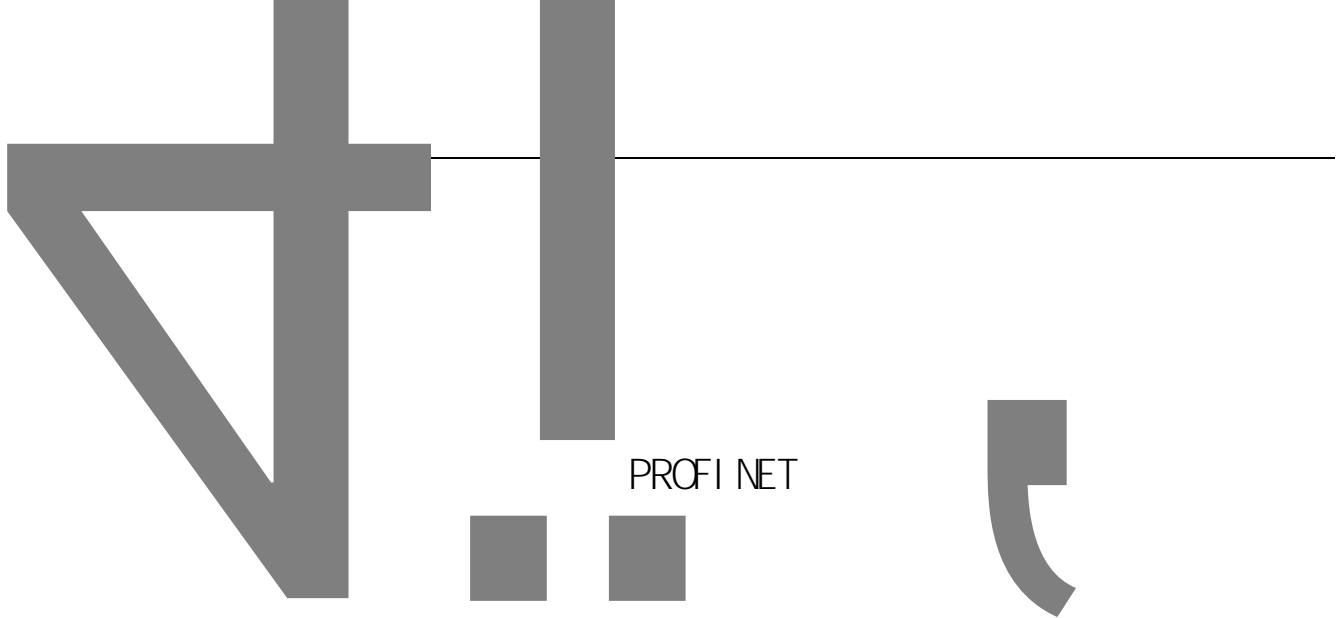
GDHF - PNO2

PROFI NET

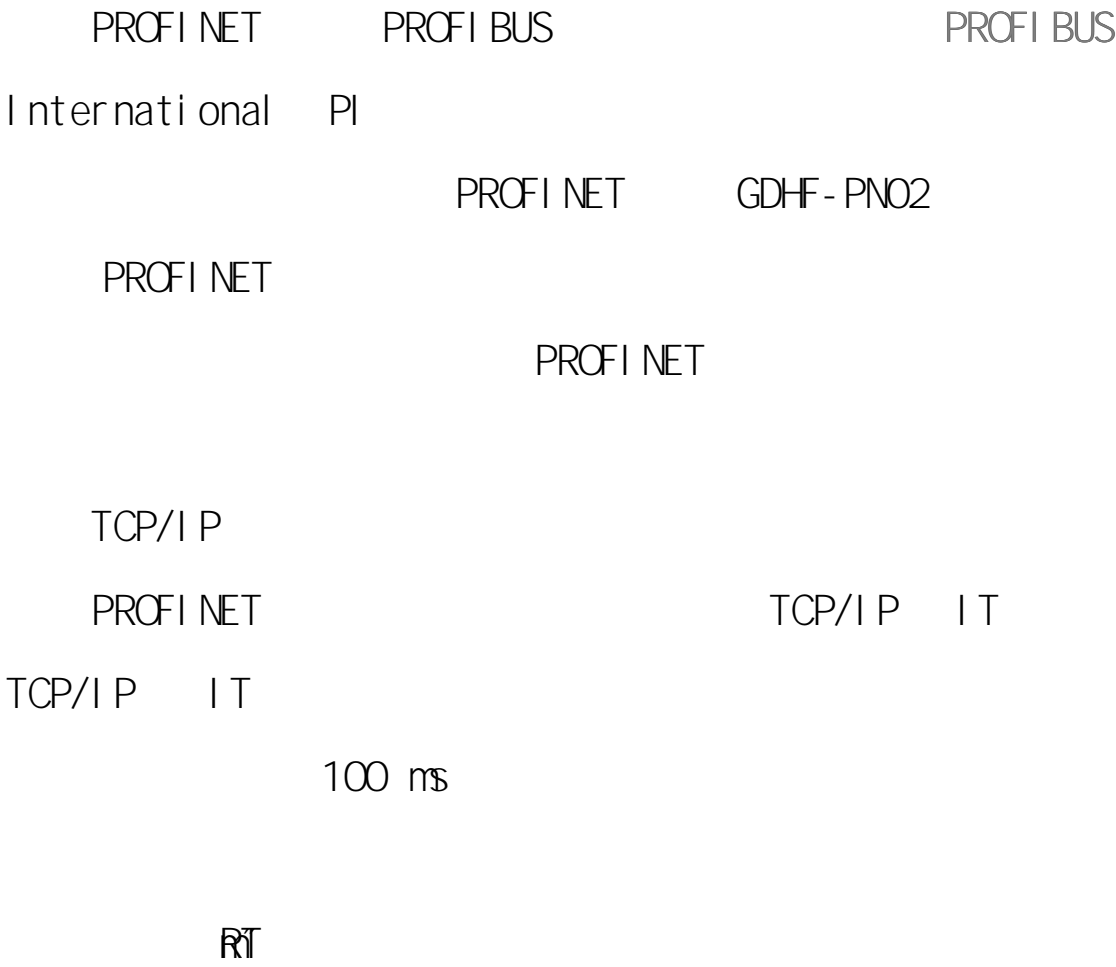
GDHF - PNO2

LED

PROFI NET



PROFI NET



-

-

-

PROFI NET

GDHF - PNO2

J14

PROFI NET

GDHF - PNO2

- HF 650

HF 630

HF 620

- PROF I NET V2. 31

PROFI NET

GDHF - PNO2

- PROF I NET

-

-

!

5

GDHF - PNO2

J14

H3 H2

- GDHF - PNO2

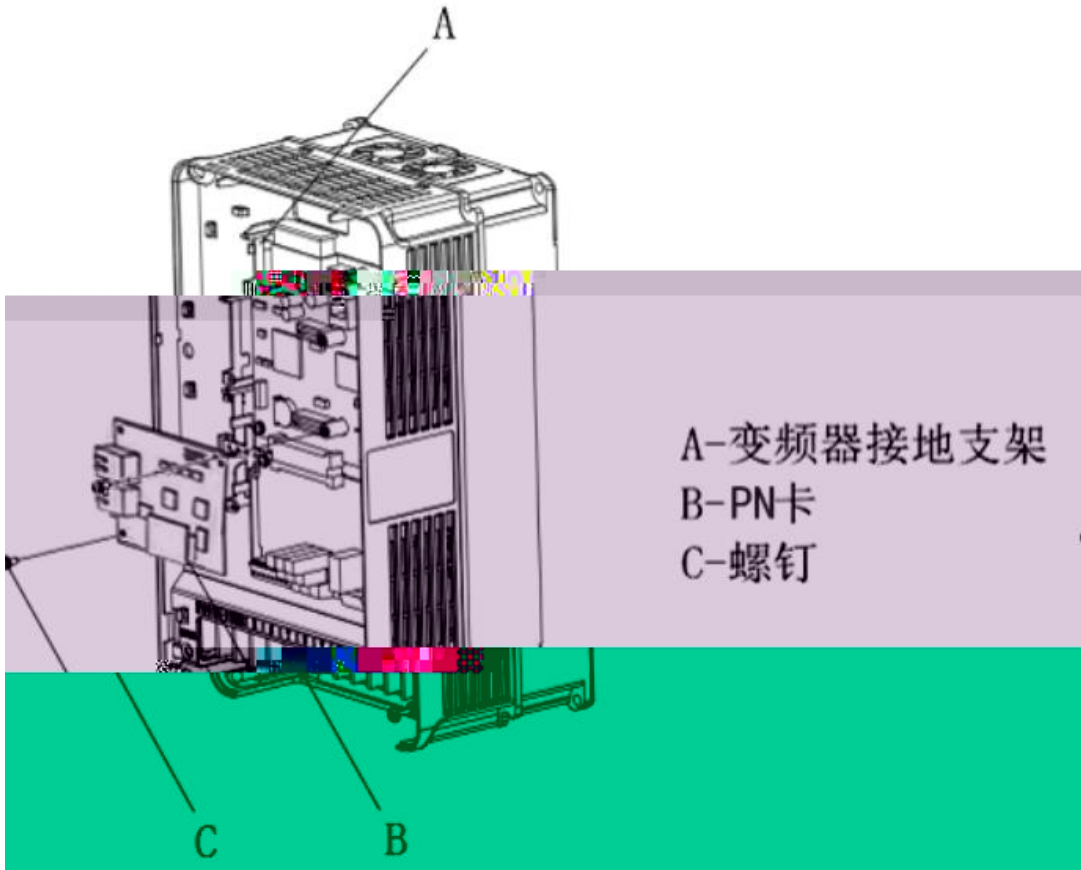
- GDHF - PNO2

EMC

GDHF - PNO2

GDHF - PNO2

RJ 45





-
- PROFI NET

5

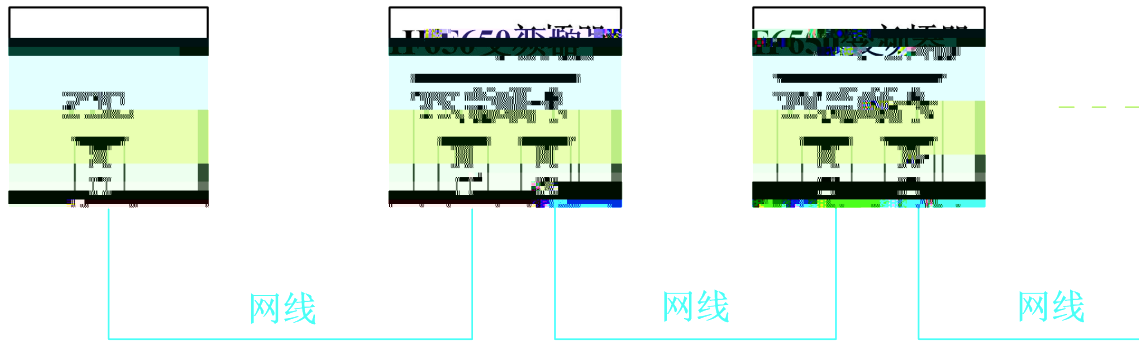
A

B

PROFI NET

5E

TI A/EI A- 568- B



PROFI NET



PROFI NET

PROFI NET

GDHF - PN02

PROFI NET

GDHF - PN02

PROFI NET

P33. 0	[0] [1]		0	1	0
P33. 2	[0] PPO1 [1] PPO2 [2] PPO5		0	2	1
P33. 5	[0] [1] [2] [3]		0	3	0
P33. 6		ms	0 1000		50
P33. 7	[0] [1]		0	1	1
P33. 8					

P33. 46	[W0]	[0] × 1 [1] × 10 [2] × 100 [3] × 1000 [4] × 10000 [5] [%d] × 1 [6] [%d] × 10 [7] [%d] × 100	0 4	0
...

PROFI NET

[0] PROFI NET

[1] PROFI NET

PROFI NET

PPO Parameter/Process Data Objects, /

PROFI NET PPO

2 PPO

PPPO5

HF650

PLC

HF650

PLC

PROFI NET

GDHF - PNO2

100M~~b~~/s

PROFI NET

PROFI NET

PROFI NET

GDHF - PNO2

PROFI NET

PROFI NET

PPO Parameter/Process Data Objects

/

PPO

PPO

	W 0	W 1	W 2	W 3	W 4	W 5	W 6	W 7	W 8	W 9	W 10	W 11	W 12	W 13	W 14	W 15
PPO1	V0	V1	V2	V3	V4	V5										
PPO2	V0	V1	V2	V3	V4	V5	V6	V7	V8	V9						
PPO5	V0	V1	V2	V3	V4	V5	V6	V7	V8	V9	V10	V11	V12	V13		

PLC

V0	PA_CTRL	bit		
		0	PA_ENABLE	' 0' ' 1'
		1	WRITE	' 0' ' 1'
		2	SAVE_to_FLASH	' 0' ' 1' FLASH
		3 ~ 15	Reserved	
V1	Address	byte	[15. . 08]	[07. . 00]
		Data		
V2	0	0		
V3	Data	16		

PLC

V0	PA_STATUS	bit		
		0	Reserved	
		1	Reserved	
		2	SAVE_to_FLASH	' 0' ' 1' FLASH
		3	ILLEGAL_ADDRES S	' 0' ' 1'
		4 ~ 15	Reserved	
V1	Address	byte	[15. . 08]	[07. . 00]
		Data		
V2	0	0		
V3	Data	16		

4

5

4 5
HF650

1

CWD. 0	RUN	' 0' ' 1'
CWD. 1	RUN@REV	' 0' ' 1'
CWD. 2	Anti CrabOpen	' 0' ' 1'

CW0. 3	RESET	' 0' ' 1'
CW0. 4	External FAULT	' 0' ' 1' PROFI NET
CW0. 5	External ALARM	' 0' ' 1' PROFI NET
CW0. 6	DRIVE ENABLE	' 0' ' 1'
CW0. 7	MA/SL Switch	
CW0. 8	SPD/TRQ Switch	' 0' ' 1'
CW0. 9	HOCK	' 0' ' 1'
CW0. 10	FIELD ENABLE	' 0' ' 1'
CW0. 11	Torque_Limit_Ctrl	' 0' ' 1' PROFI NET
CW0. 12	MOTION_CTRL	' 00' 1

CWØ. 13		' 01'	2
		' 10'	3
		' 11'	4
CWØ. 14	TORQUE_ZERO	' 0'	
		' 1'	
CWØ. 15	FREE_RUNNING_STOP	' 0'	
		' 1'	

2

SW0. 0	READY	' 0
		' 1'

SW0. 1	RUN	' 0
		' 1'

SW0. 2	FAULT	' 0
		' 1'

SW0. 3	MOTOR BRAKE	' 0
		' 1'

SW0. 4	WARNING	' 0
		' 1'

SW0. 5	DIRECTION	' 0
		' 1'

			1
SW0. 6	M_STEP0	' 0	1
		' 1'	1

		J!å	2
SW0. 7	M_STEP1	' 0	2
		' 1'	1 2

SW0. 8 M_STEP2

16

PROFI NET

LED

GDHF - PNO2

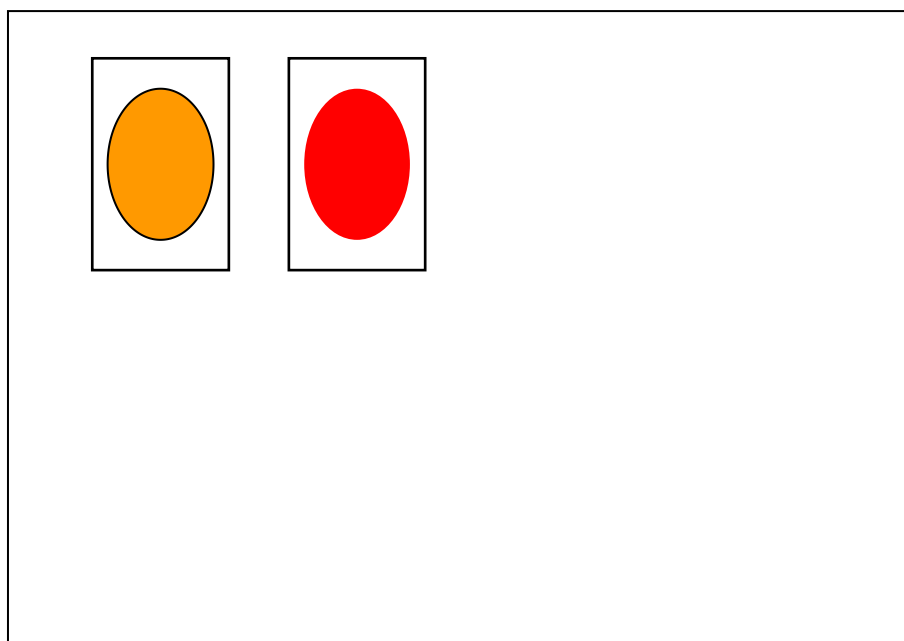
4

LED

LED

GDHF - PNO2

LED



SXNC		PROFI NET	RT
CPU_RUN		PROFI NET	PROFI NET

PROFI NET

16

/

GSDML

XML

P

ROFI NET

GSDML

<http://www.gui-de-electric.com>

com

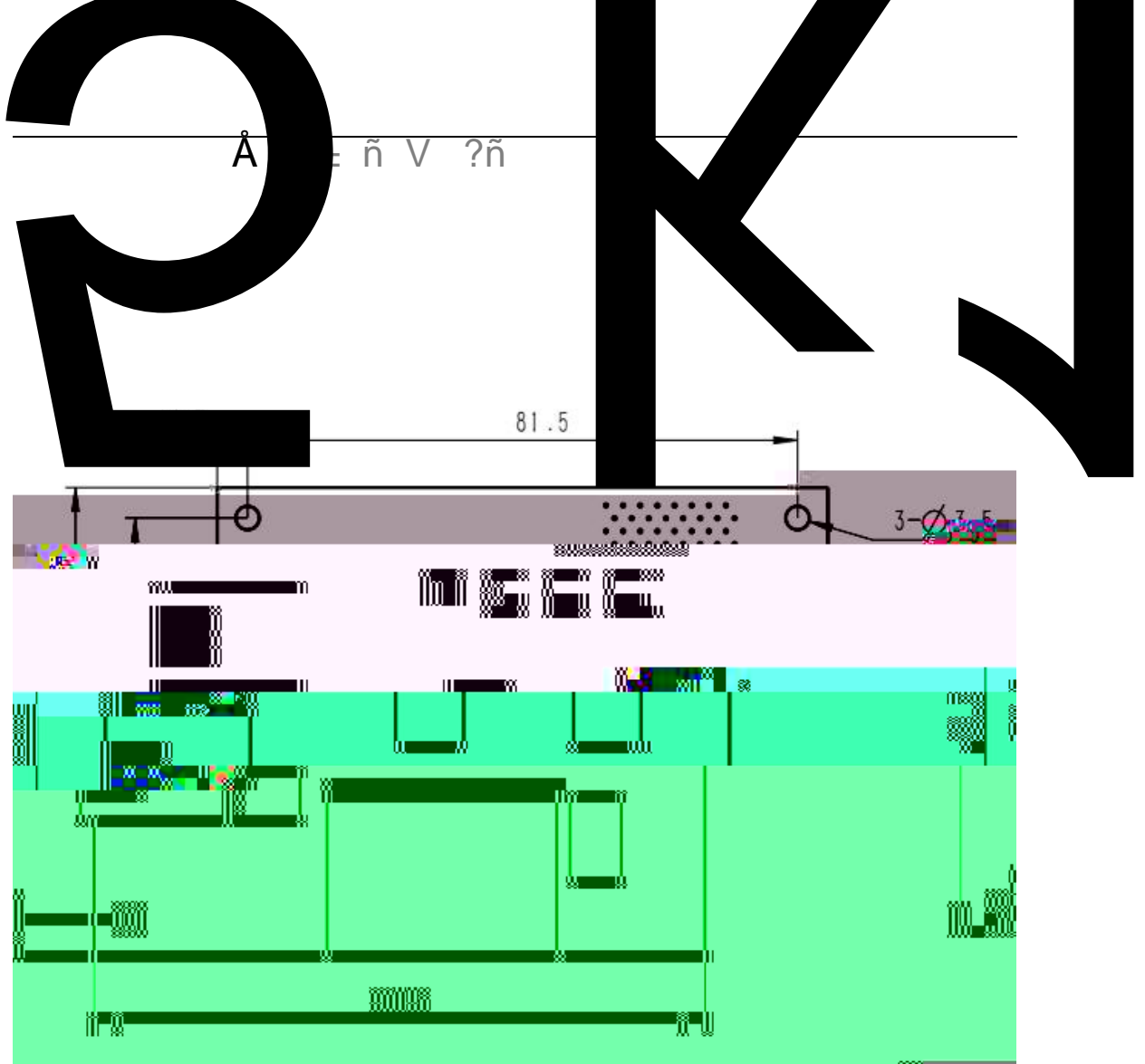
GSDML

PROFI NET

/

PROFI NET

16



PROFI NET

mm

PROFI NET

PROFI NET

Wuhan Guide Technology Co., Ltd.

6

430223

86-027-87927230

shfw@gdetec.com

www.gdetec.com

400-0077-570